

LEWA ecoflow®

The innovative metering pumps

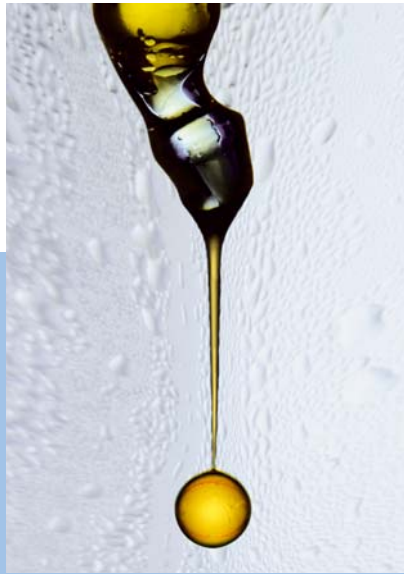


- accurate
- safe
- economical

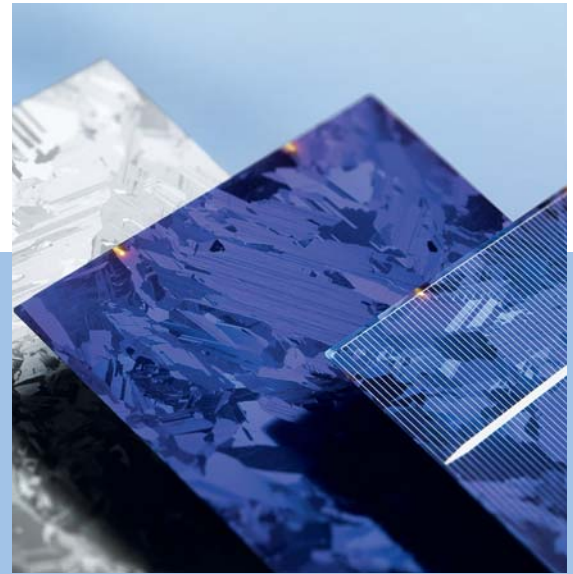
For a wide range of applications: LEWA ecoflow in a proven modular system



The chemical industry:
LEWA ecoflow pumps are used,
for example, for extraction in
high-pressure processes.



The petrochemical industry:
used for gentle metering of highly
viscous fluids in the production of
biofuels, for example.



The plastics industry:
LEWA ecoflow pumps are used, for example,
for polymerization processes in the manufacture
of solar cells.

The proven modular system combined with innovative pump head technology

The LEWA ecoflow metering pump series is based on a proven modular system. Combined with the newly developed diaphragm pump heads of the M900 series, this range meets the high expectations of our customers.

For even better economy

An optimum customer-specific design can be configured from a wide range of standardised assemblies for your individual application: be it in the chemical, petrochemical, pharmaceutical, cosmetics or food industry. The modular structure of the range means that it is possible to offer LEWA quality at a price geared to the market.

With even more reliability and quality

LEWA ecoflow provides the most advanced diaphragm metering pumps in the world with maximum security for both production and the environment, primarily through the unique DPS diaphragm protection system (Diaphragm Protection System). A crucial advance for your process reliability!



The pharmaceutical industry: LEWA ecoflow in hygienic design meets the high demands of the pharmaceutical industry for extruding tablets, for example.



The cosmetics industry: LEWA ecoflow in sanitary design guarantees problem-free cleaning in the manufacture of skin care products, for example.

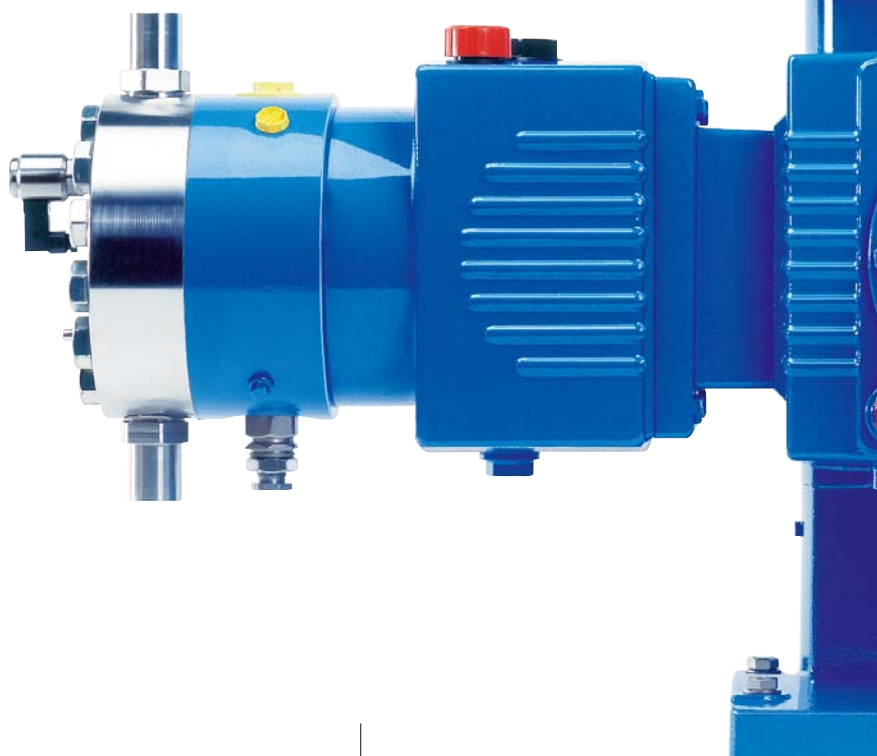


The food industry: sterile and reliable production, for manufacturing gelatin or fruit gums, for example.



Benefits offered:

- Accurate metering
- Hermetically sealed, leak-free
- High operating safety
- Economical modular system
- Long maintenance intervals
- Lowest life-cycle costs
- Supplied to meet standard regulations (VDMA 24284, 24286-10, API 675, 3A, FDA)
- Skilled global service



For tightness and safety: LEWA ecoflow technology

The construction principle ensures that diaphragm of the pump head always works in the optimum operating range. This explains the extremely high operating safety of LEWA ecoflow.

LEWA ecoflow:

Advantage through the patented DPS diaphragm protection system

Diaphragm pumps are used when freedom from leaks and operational safety are required, particularly in the case of fluids that are hazardous, abrasive, polluting or sensitive. In order to keep the load on the diaphragm as low as possible, the diaphragm in LEWA ecoflow is actuated hydraulically. Together with the DPS diaphragm protection system, a long diaphragm service life can be guaranteed.

Low-wear valves for the widest range of tasks

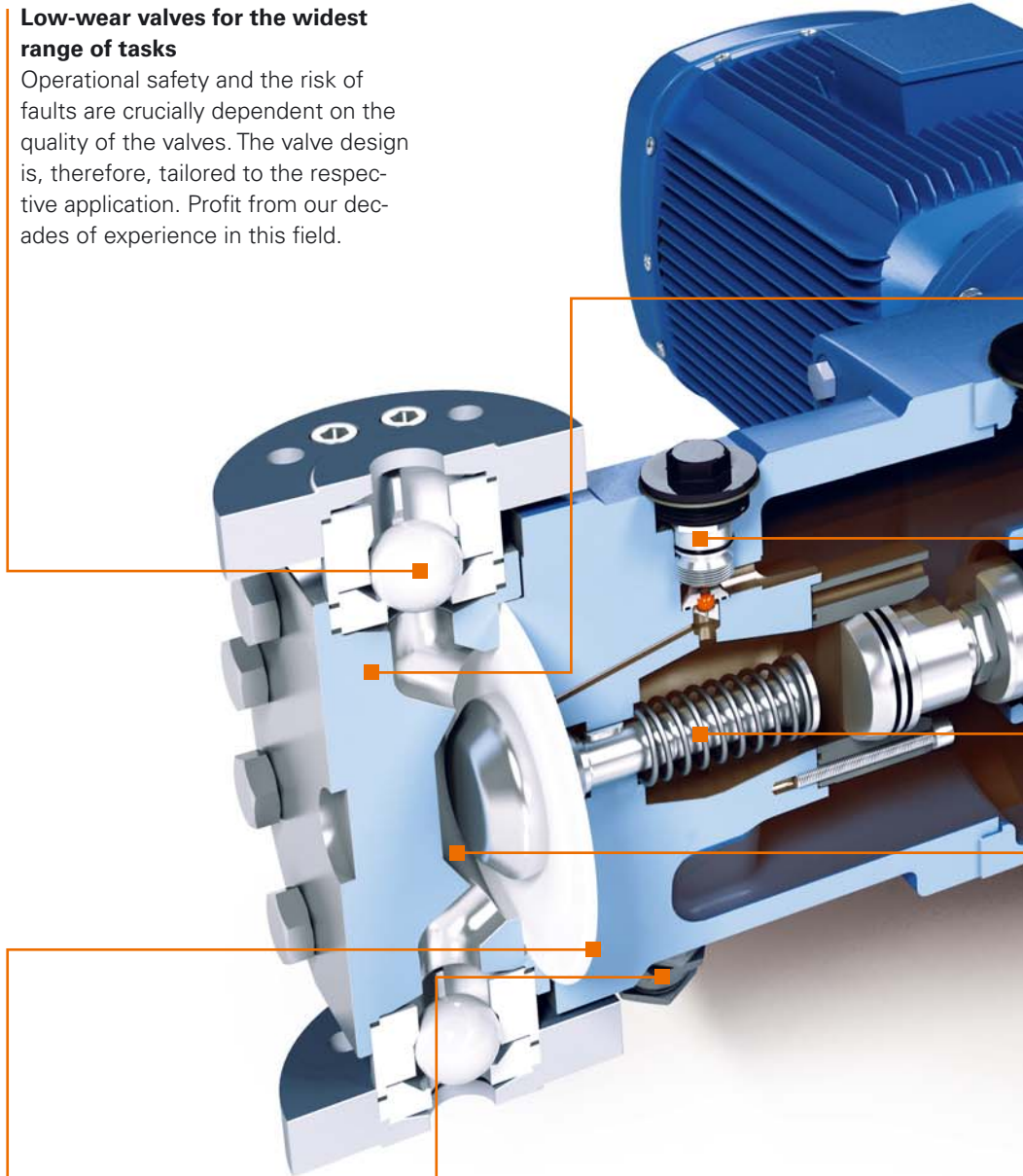
Operational safety and the risk of faults are crucially dependent on the quality of the valves. The valve design is, therefore, tailored to the respective application. Profit from our decades of experience in this field.

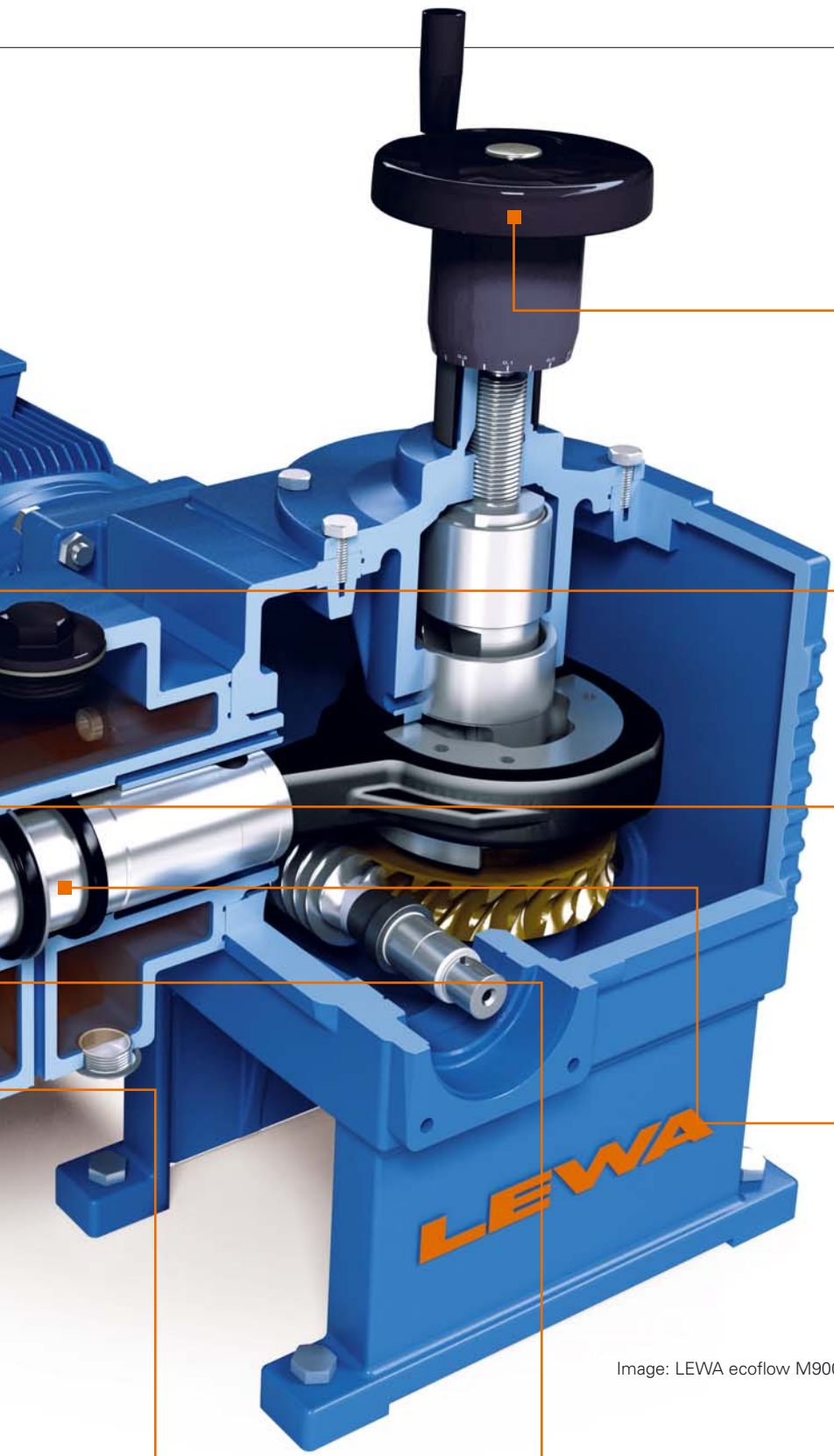
Diaphragm monitoring system: for reliable status indication

If a diaphragm is damaged, this will be reliably and immediately indicated by the standard diaphragm monitoring system. Nevertheless, the pump can continue to be operated so that the production process can be finished without risk. Signalling takes place using a pressure switch, pressure gauge and contact pressure gauge.

Pressure limiting valve

A pressure limiting valve prevents possible pump overload situations. With LEWA ecoflow, these can be set individually.





High metering accuracy, gentle delivery

The metering pumps provide high metering accuracy and gentle delivery; their stroke can be adjusted (manually or electrically), as can the stroke frequency by means of a frequency inverter. The reproducibility of the settings is better than $\pm 1\%$.

The right material for every fluid

Stainless steel 1.4571 (316 Ti) is used as our standard material. Other material options such as 2.4610 (Hastelloy) or titanium are also possible.

Leakage replenishment valve

Any internal leakage in the hydraulic fluid area of the piston is balanced through a snifting valve.

Separation of hydraulic and drive unit oils

Separating both the oil circuits provides an additional protective barrier, so it is basically impossible to contaminate the drive unit with the conveyed fluid.

Image: LEWA ecoflow M900

Minimum dead space: short dwell time

Through structural optimisation of the pump head, the volume of process fluid in the work space can be kept low. The fluid flow is designed so that flushing, draining and drying processes can be carried out easily.

Simple and safe start-up

The diaphragm protection system guarantees problem-free start-up even under unfavourable boundary conditions.

For the most varied requirements: Three LEWA ecoflow pump heads



Series M900: The secure one for all types of fluids

M900 is the universal high-performance series with a hydraulically actuated PTFE diaphragm and DPS diaphragm protection system, which guarantees freedom from leaks and operational safety – even in the case of operating errors.

- Up to 400 bar (5,800 psig) and + 150°C (+ 300°F)
- For universal use, for all types of fluids
- Highest operational safety
- Very long diaphragm service life
- High metering accuracy and wide adjusting range
- Safe for suction pressure up to 400 bar (5,800 psig)
- Recommended for critical, toxic, flammable or abrasive fluids

Series M200: The robust one for high pressures and temperatures

M200 pump heads are specially designed for high pressures and temperatures. They have a metal diaphragm and were designed as “high pressure pump series”.

- Up to 1,200 bar (17,400 psig) and + 200° C (+ 390° F)
- Very high safety standards
- Safe against diaphragm overload and operating errors
- Suction pressure safe
- Diffusion-tight metal diaphragm
- Long diaphragm service life
- Recommended for critical, toxic, flammable or abrasive fluids in high-pressure applications

Series K: The tried and tested one for non-problematic fluids

Plunger pump heads are preferably used with simple, non-problematic fluids, and represent an economical yet high-quality solution.

- Up to 500 bar (7,250 psig) and + 400° C (+ 750°F)
- Economical design for simple tasks
- Wear-resistant plunger seal with oxide ceramic plunger

For all types of fluids: Safe M900 diaphragm pump heads

Performance overview:

Pressure	to 400 bar (5,800 psig)
Flow rate	of 1 l/h–8 m ³ /h per pump head (0,26–2,100 USgph)
Temperature	-20 to +150 °C (0–300 °F)
Viscosity	to 100,000 mPa s

For technical data, see page 13



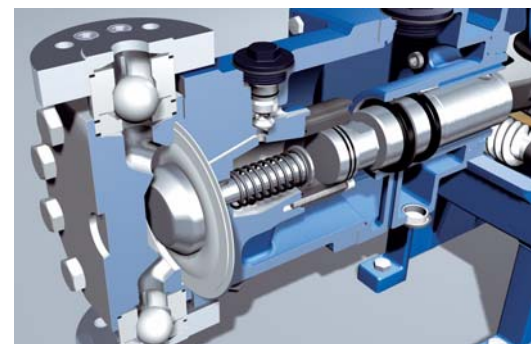
With their diaphragm protection system, the M900 series is not only a universal solution but also one that is operationally safe, be it for simple or critical, polluting, hazardous, sensitive, highly viscous or abrasive fluids.

The DPS diaphragm protection system ensures that the diaphragm always moves in the optimum operating range. Even external influences or extreme operating conditions will not bother it. This is what makes the M900 series extremely safe and particularly economical. The extremely long diaphragm service life is a crucial factor in improving life-cycle costs. Added to this are the benefits of the diaphragm monitoring system, which signals if the condition of a diaphragm is damaged. Nevertheless, the diaphragm can continue to be operated for a certain time, which provides a high level of fail-safety and thus greater availability.

- Hermetically sealed, leak-free
- High metering accuracy and a wide adjusting range
- Integrated pressure limiting valve
- Diaphragm monitoring system
- Very long diaphragm service life, easy to replace
- Simple and safe start-up, even under extreme conditions
- Safe against operating errors
- Unsurpassed suction capability, comparable to a plunger pump
- Suitable for vacuum extraction
- Up to 400 bar (5,800 psig) and + 150 °C (+ 300 °F)

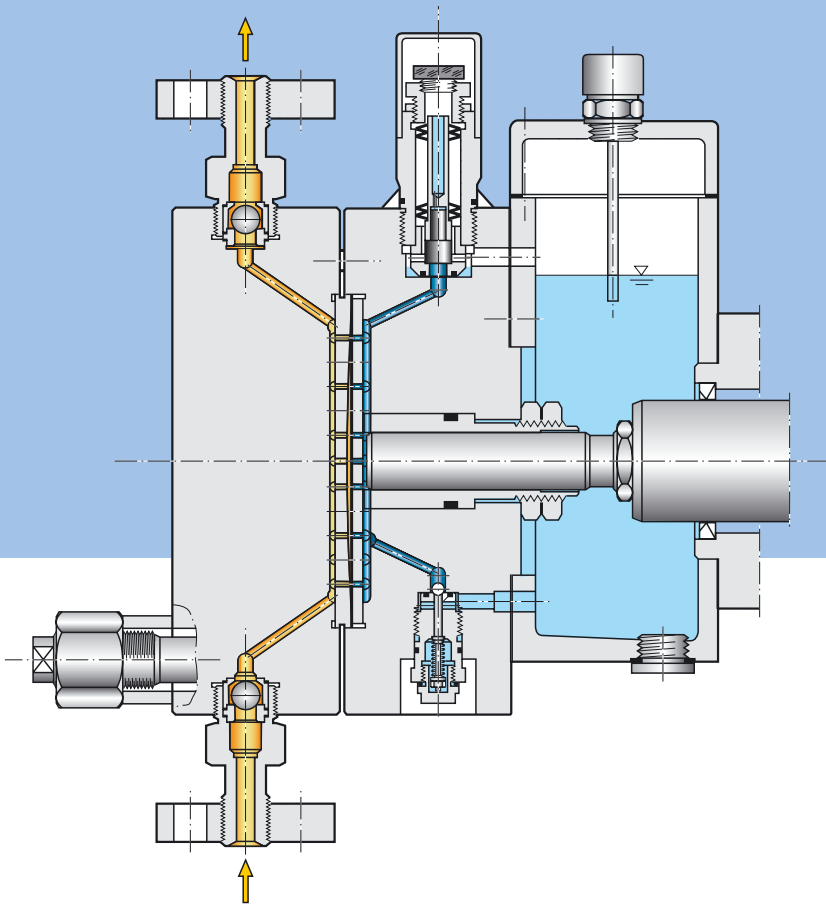
Options

- Special valves
- Versatile connection geometries
- CIP-capable
- Hygienic designs
- Heating and cooling jacket
- Fully heated pump heads for melts
- Special materials, e.g. Hastelloys
- Diagnostic connection for online and offline monitoring
- Type-tested pressure limiting valve



Operationally safe thanks to DPS:
The new diaphragm control means that the diaphragm is always in the ideal operating position

For high pressures and temperatures: The robust M200 diaphragm pump heads



Performance overview:

Pressure	up to 1,200 bar (17,400 psig)
Flow rate	of 1 l/h–2 m ³ /h per pump head (0,26–530 USgph)
Temperature	+200° C (390 °F)
Viscosity	up to 500 mPa s

For technical data, see page 13

With their metal diaphragm and solid construction, the M200 series is the “high pressure pump series” for extreme applications.

Diaphragm pumps with metal diaphragms are used if high pressures or high temperatures occur or if high diffusion resistance is required, such as in nuclear technology. The series offers a very high standard of safety, particularly for high pressures up to 1,200 bar (17,400 psig). Even under these conditions, the diaphragm support plates on both sides prevent diaphragm overloads through operating error. An additional safety bonus is provided by the diaphragm monitoring system which immediately indicates any damage to a diaphragm layer.

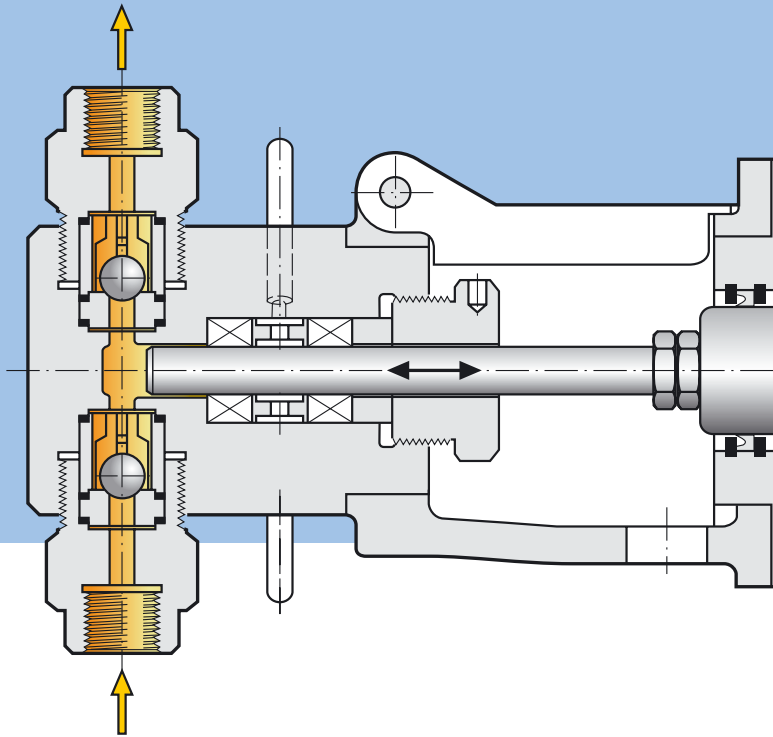
Nevertheless, the diaphragm can continue to be operated for a certain period, which means high fail-safety and thus greater availability.

- Very high safety standards
- Secure against diaphragm overload and operating errors
- Suction pressure safe, to full operating pressure at standstill, and up to 300 bar (4,350 psig) in operation
- Diffusion-tight metal diaphragm
- Long diaphragm service life



Long service life:
The metal diaphragms receive even flow patterns and are securely protected against overdeflection

For non-problematic fluids: The tried and tested series K plunger pump heads



Performance overview:

Pressure	up to 500 bar (17,400 psig)
Flow rate	from 0,1 l/h – 10 m ³ /h per pump head (0,26 – 2650 USgph)
Temperature	up to +400° C (+750 ° F)
Viscosity	up to 100,000 mPa s

For technical data, see page 13

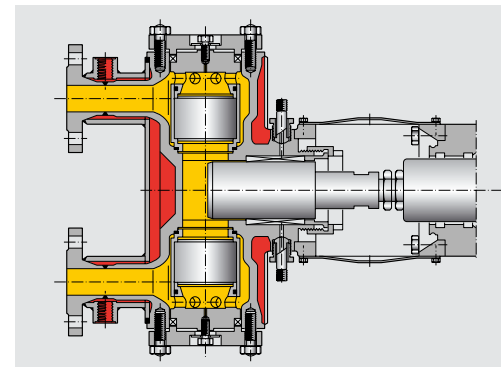
Series K plunger pump heads are a tried and tested, safe and economical solution for non-problematic fluids.

Series K plunger pumps are excellently suited to a whole range of metering tasks. In this construction, the fluid conveyed is displaced directly by the plunger, i.e. the plunger and the piston seal are wetted by the fluid. A high level of operational security is achieved using high-quality plunger materials and seal constructions.

- An economical solution for simple metering tasks
- Oxide ceramic plunger
- Optimum chemical resistance
- High resistance to wear

Options

- Heating or cooling jacket
- Flush connection to the fluid
- Plunger seals optimised to the fluid
- Fully heated pump head with accessible valves, for example

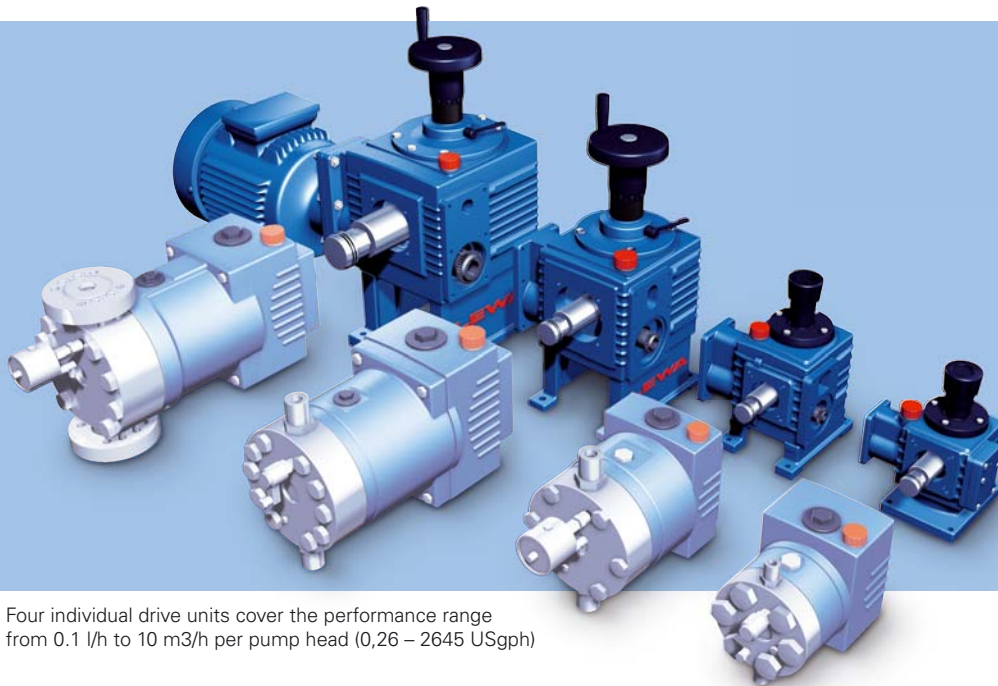


Many options are possible:
e.g. K500 fully heated pump head with accessible valves



For non-critical fluids:
Plunger pump heads are primarily used for simple, non-problematic fluids

For low and high metering volumes: Drive units in four frame sizes

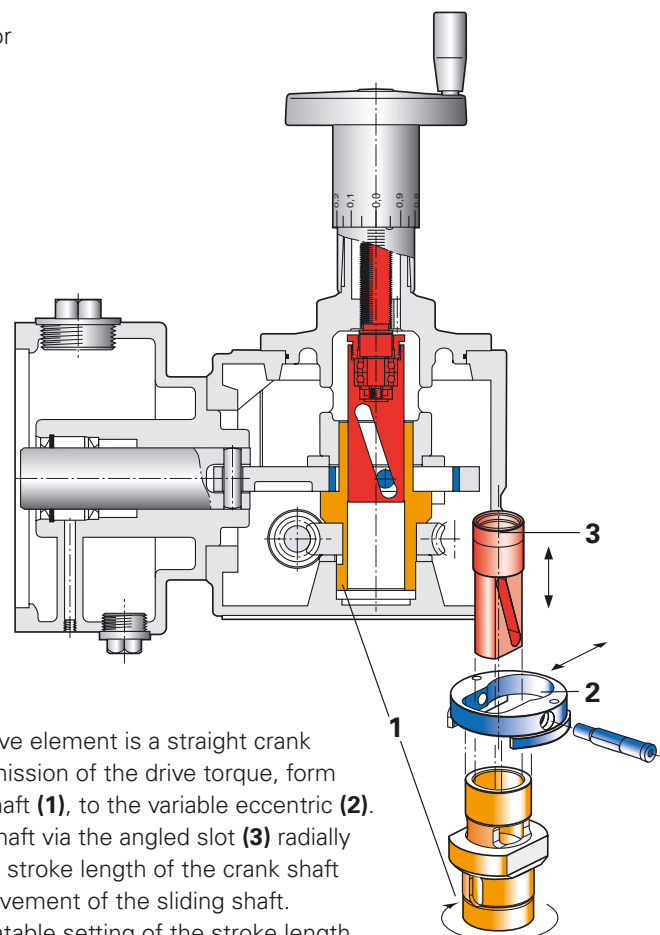


Four individual drive units cover the performance range from 0.1 l/h to 10 m³/h per pump head (0,26 – 2645 USgph)

The correct LD Series drive unit is used depending on the flow rate and the adjustment range.

In four sizes and with different gear ratios, a wide range of performance can be covered. Using an eccentric adjustment, the flow rate can be set very accurately over a wide range; for additional stepless speed regulation, the LEWA range includes frequency inverters.

- Available as a single drive unit with a compactly mounted vertical motor
- Multiple drive units that can be combined with the same or different performance
- Electrical, pneumatic or manual stroke adjustment
- Low maintenance costs, long maintenance intervals
- High safety against overloads
- Linear, perfectly reproducible precision stroke adjustment

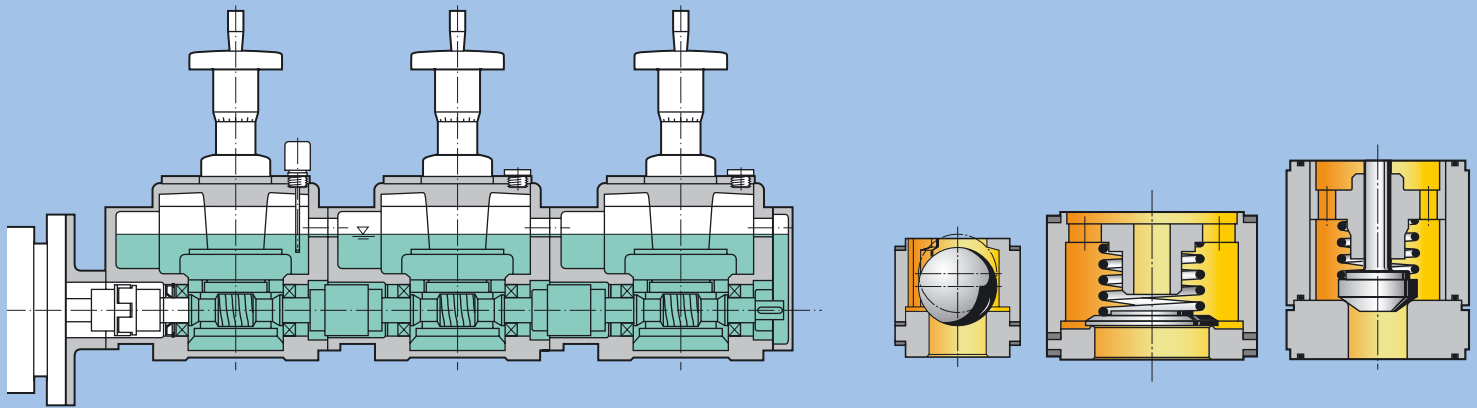


The LEWA variable eccentric drive element is a straight crank drive element with direct transmission of the drive torque, from the worm gear via the hollow shaft (1), to the variable eccentric (2). Axial movement of the sliding shaft via the angled slot (3) radially shifts the variable eccentric. The stroke length of the crank shaft changes in proportion to the movement of the sliding shaft. The result is an accurately repeatable setting of the stroke length.



From single to multiple pumps: if the performance range is increased, LEWA ecoflow pumps can be combined in almost any way

For optimum configuration: The drive units options



A common oil bath: LEWA ecoflow multiple pumps manage without rotary shaft seals between the elements

LEWA ecoflow offers a wide range of very different valve designs

Drive options

- Standard motors with IEC or NEMA connections
- With or without hazardous area protection
- Available with frequency inverters
- All types of special drives

Instrumentation/ Control options

- Pump monitoring and integration in process control
- Proven controls, e.g. for proportional or batch metering

Stroke adjustment options

The drive units can be operated with a constant stroke length or with an adjustable stroke. This can be done manually, electrically or pneumatically.

Electrical stroke adjustment

- Integrated end position and overload protection
- Feedback through potentiometer or 0/4 to 20 mA signal
- Standard degree of protection is IP 67
- Positioner (optional)
- Hazardous area protection (optional)

Pneumatic stroke adjustment

- Self-locking, no drift if air fails
- Standard control 0.2 to 1 bar (3–15 psig)
- Control and feedback through 0/4–to 20 mA signal
- Standard degree of protection is IP 54
- Optional IP 65 degree of protection
- EExialICT6 hazardous area protection

Valve designs

LEWA ecoflow offers a wide range of very different valve designs for every possible requirement.

Ball valves

- Standard valves for nominal diameters up to 15 mm
- Low drag coefficient
- High functional security, even when handling impure fluids or suspensions

Plate valves

- Standard valves for nominal diameters up to 25 mm
- Particularly suitable for high stroke frequencies

Other valve options

- Hardened or made of hard metal or oxide ceramic, silicon nitride for very low wear
- Double ball valves for even more safety
- Suspension valves in different designs
- Cone valves in wear-resistant design for nominal diameters over 25 mm

For extra production safety: LEWA ecoflow accessories

Intelligent accessories, such as the LEWA CMS pump monitoring system, mean you get more from your application or installation.



Conditioning Monitoring System

For extra process quality, accuracy and trouble-free operation, LEWA recommends the CMS Conditioning Monitoring System. It gives an edge by permanently recording and evaluating data. This means not only monitoring of the pumps but also optimisation of the whole application. We have both mobile offline systems and online systems installed stationary.



Pulsation dampers

Pulsation dampers

Metering pumps work in pulses; on each pump stroke, fluid is accelerated and then decelerated. Pulsation dampers can be required for two reasons:

- To prevent excessively high pressure fluctuations
- To generate a flow rate that is almost continuous

LEWA has the expertise as well as the accessories to optimally tailor pumps and installations to one another.



Safety valve

Safety valves

LEWA safety valves prevent pressure overloads in the pumps and installation. Metering pumps, which deliver by force, must always be protected with a safety valve if there is a risk that the discharge line could be closed during operation of the pump (e.g. by sedimentation in the pipe).

The hydraulically coupled LEWA ecoflow diaphragm pumps are equipped with a relief valve to protect the pump as standard.

Strainers

Many fluids being conveyed contain impurities. These can lead to faults in the metering pump valves – from slight fluctuations in the metered flow to complete failure. In order to reliably avoid these effects, LEWA recommends fitting strainers in the suction pipelines.

Pressure retaining valves

LEWA pressure retaining valves prevent uncontrolled flow through the pumps (excessive delivery). This occurs when the pressure on the suction flange is greater than on the discharge flange, which can be caused either statically or dynamically. Generally the holding pressures are low.

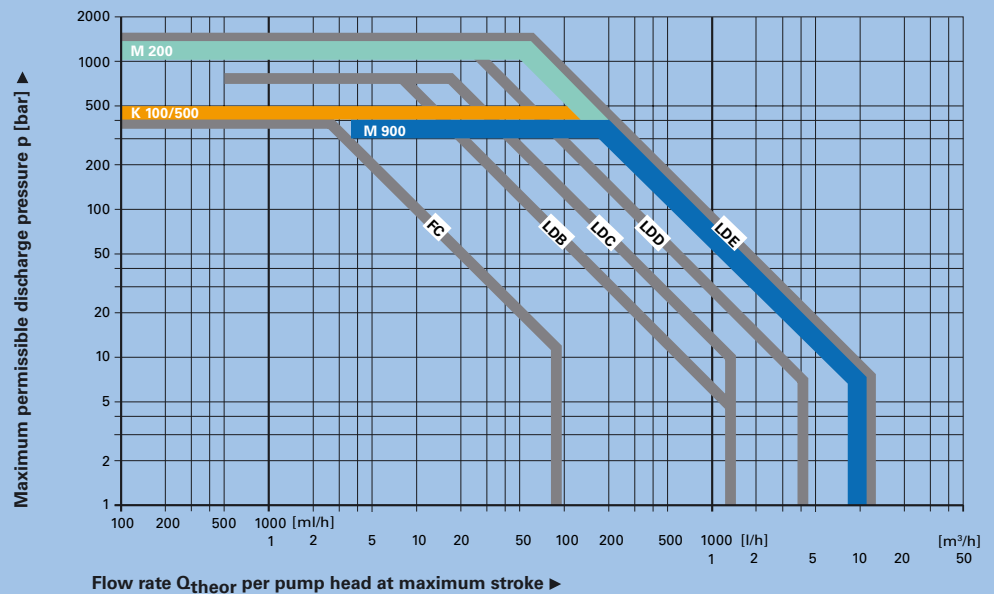
Expert installation

Let LEWA advise you on matters of pump design and expert installation. We are also happy to supply you with a fully-functional system or offer suitable components or a complete installation with suction and discharge pipe work.

A quick overview: Technical data for the LEWA ecoflow

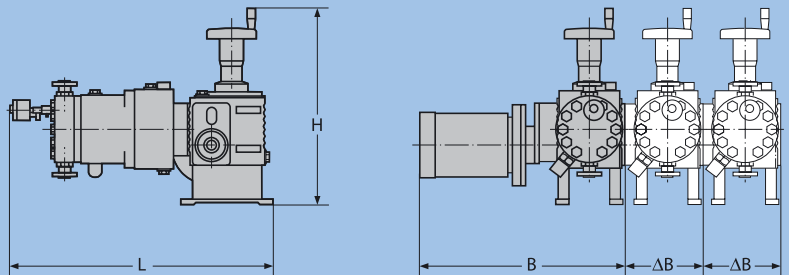
Performance overview

To determine the size of the drive unit. The characteristic curves apply to a single pump. Flow rate details per pump head.



Assembly dimensions

Type	L [mm]	B [mm]	ΔB [mm]	H [mm]
LDB	400	400	185	260
LDC	450	500	220	320
LDD	700	750	280	610
LDE	800	900	350	690



The dimensions differ depending on the pump head fitted

Enquiry data for designing a pump

To design your special pump, we need the basic details on the right.

LEWA GmbH

Telefon. +49 7152 14-0

Telefax +49 7152 14-1303

lewa@lewa.de

We will deal with your enquiry immediately.

Metered fluid

Flow rate required	[l/h]
Operating pressure at discharge flange	[bar] abs
Operating pressure at suction flange	[bar] abs
Operating temperature (OT) max./min.	[° C]
Density at OT	[g/cm³]
Viscosity at OT	[mPa · s = cP]
Solids content/Solids density	[%/g/cm³]
Solids grain size/Solids hardness	[mm/Mohs]

Motor data

Hazardous area protection
Degree of protection
Voltage [V]
Current type
Mains frequency

For every occasion: The LEWA product range



LEWA micro-flow metering pumps

For laboratories & pilot plants: LEWA micro-flow pumps

These micro-flow metering pumps with hydraulically actuated metal diaphragms are primarily used in laboratories and for test procedures in pilot plants.

Performance range

Flow rate	bis 0,04 m ³ /h (10,6 USgph)
Discharge pressure	up to 560 bar (8,100 psig)



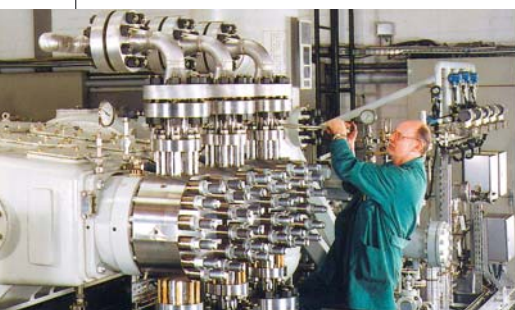
LEWA ecodos

For low pressures: LEWA ecodos

Standard diaphragm metering pumps for low pressure use, using a mechanically actuated PTFE quadruple diaphragm for multiple security. Can also be combined as a multiple pump.

Performance range

Flow rate	up to 1,5 m ³ /h per pump head (400 USgph)
Discharge pressure	up to 20 bar (300 psig)



LEWA triplex process diaphragm pumps

For high pressures: LEWA process diaphragm pumps

The leak-free LEWA process diaphragm pumps for high flow rates are the tightness standard in high-pressure process technology. Using LEWA triplex process diaphragm pumps, even critical, toxic or flammable liquids can be conveyed safely. Even extremely low viscous, non-lubricating fluids or abrasive suspensions can be handled successfully.

Performance range

Flow rate	up to 180 m ³ /h (790 USgpm)
Discharge pressure	up to 1.200 bar (17,400 psig)

For closed control loops: LEWA metering systems

LEWA is the first point of contact in the market for high-performance yet economically designed metering systems. These are modular combinations of pumps, valves and controls for stroke lengths and speeds, flow meters (volume or mass flow) and controllers. The metered flow is controlled in a closed control loop.

For sterile applications: LEWA Sanitary & Hygienic

LEWA supplies special sanitary and hygienic diaphragm pumps for metering tasks in hygienic, aseptic or sterile procedures, whether for food and beverages or for pharmaceuticals and cosmetics.

Performance range

Flow rate	up to 4,5 m ³ /h per pump head (1,200 USgph)
Discharge pressure	up to 350 bar (5,100 psig)



LEWA metering systems and metering packages

For process automation: LEWA metering packages

LEWA metering and mixing packages for process automation are available either as standard variants ready for connection, or designed by LEWA specifically for the task on the customer's request. LEWA can supply complete, ready to operate problem solutions. Our services range from engineering through to commissioning - including individual package controls, process visualisation, logging of operational data and external interfaces to the process guiding system.

For more information, please request our brochures.

For the highest demands: LEWA engineering & services



Profit from LEWA expertise during the planning stage, the design and during operation

Consultancy & engineering for particular tasks

With over 10,000 successful applications, LEWA has a very wide range of application expertise around the world. Profit from our experience. We see ourselves as a supplier of solutions and systems for any application involving the conveying, metering and mixing of gases and liquids. We can thus provide tailor-made solutions, from the smallest single unit to the largest inline installations, as well as process engineering consultancy for complex tasks. Solutions that meet particular process requirements.

- Fluid assessment
- Installation calculations
- Comparable process engineering applications
- Individually designed concepts
- Commissioning and service
- Seminars and on-site trainings

Global service network for greater availability

LEWA follows its customers around the world. With 15 subsidiaries and numerous authorised agencies, you will find us in all major countries. This local presence is also critical for the successful implementation of international projects. Regular maintenance guarantees the reliability and, particularly, the profitability of a pump system. This is where we can help out with our comprehensive expertise. We look after LEWA installations – worldwide. And we ensure that original spare parts can be supplied and will remain available for many years.



Quickly on site: whether for consultancy, maintenance or servicing, local presence takes top priority at LEWA



For the toughest environments:
High levels of reliability even when used under tough conditions

For short distances: LEWA at your service worldwide



Germany / Headquarters

LEWA GmbH

Ulmer Str. 10
71229 Leonberg
Phone +49 7152 14-0
Fax +49 7152 14-1303
lewa@lewa.de
www.lewa.de

LEWA HOV GmbH + Co KG

Ulmer Str. 12
71229 Leonberg
Phone +49 7152 6091-0
Fax +49 7152 6091-59
hov@hov.de
www.hov.de

Austria

LEWA Pumpen GmbH

Diefenbachgasse 35/3/9
1150 Vienna
Phone +43 1 877 3040 0
Fax +43 1 877 3040 29
info@lewa.at
www.lewa.at

Brazil

LEWA Bombas Ltda.

Av. Santa Catarina 2153, Vila St.Caterina
04378-400 São Paulo - SP
Phone +55 11 5677 0466
Fax +55 11 5564 6827
info@lewa.com.br
www.lewa.com

Bulgaria

LEWA – Technical Office Sofia

Str. Jahan Eksarch 2 b
1421 Sofia
Phone +359 2 865 4088
Fax +359 2 865 3409
lewa.bg@lewa.at
www.lewa.at

China (P.R.C.)

LEWA Pumps (Dalian) Co., Ltd.

No. 86 Liaohedong Road, DD Port
116600 Dalian
Phone +86 411 8758 1477
Fax +86 411 8758 1478
sales@lewa.cn
www.lewa.cn

Czech Republic

LEWA Pumpen spol. s.r.o.

Sedláková 19
602 00 Brno
Phone +420 5 4323 6052
Fax +420 5 4323 6053
office@lewa.cz
www.lewa.at

France

LEWA S.A.S.

Z.A. des Sureaux, 5-9 Rue d'Estienne
d'Orves, 78500 Sartrouville
Phone +33 1 30 86 7480
Fax +33 1 30 86 7497
info@pompes-lewa.fr
www.lewa.fr

Hungary

LEWA Kft.

Lovas ut. 19, fsz. 3
1012 Budapest
Phone +36 1 224 0403
Fax +36 1 489 0833
lewa.hu@lewa.at
www.lewa.at

Italy

LEWA S.R.L.

Via Marconi, 28/1
20020 Arese (Mi)
Phone +39 02 9358 2660
Fax +39 02 9358 2657
info@lewa.it
www.lewa.it

Poland

LEWA Sp. z o.o.

ul. Andersa 13
00-159 Warsaw
Phone +48 22 635 8204
Fax +48 22 635 8988
info@lewa.pl
www.lewa.pl

Romania

LEWA Romania s.r.l.

Str. Dr. Draghiescu Dimitrie Nr. 10
sector 5, 050579 Bucharest
Phone +40 21 410 7340
Fax +40 21 410 7598
info@lewa.ro
www.lewa.at

Singapore

LEWA PTE LTD

45 Gul Drive, Jurong
Singapore 629492
Phone +65 6861 7127
Fax +65 6861 6506
info@lewa-asia.com.sg
www.lewa.com

Spain

LEWA Herbert Ott España, S.L.

Via Trajana 50-56, Nave 49
08020 Barcelona
Phone +34 93 224 7740
Fax +34 93 224 7741
info@lewa.es
www.lewa.es

Switzerland

LEWA Pumpen AG

Nenzlingerweg 5
4153 Reinach 1
Phone +41 61 717 9400
Fax +41 61 717 9401
info@lewa-pumpen.ch
www.lewa-pumpen.ch

Ukraine

LEWA Ukraine LC

15-A, Prospekt 40-richya Zhovtnya
03039 Kiev
Phone +380 44 527 9631
Fax +380 44 527 9605
lewa.ua@lewa.at
www.lewa.at

USA / North- and Middle America

LEWA, Inc.

132 Hopping Brook Road
Holliston, MA 01746
Phone +1 508 429 7403
Fax +1 508 429 8615
sales@amlewa.com
www.americanlewa.com

Find more LEWA subsidiaries
at www.lewa.com